



SlimLine Antenna, Ultra High Performance, Single Polarized, 4 ft

RFS SlimLine® Antennas are designed for microwave systems in all common frequency ranges from 6 GHz to 25 GHz. The antennas are cost-effective products for microwave point-to-point transmission links. The antennas utilise a conventional feed system and are available in Standard, High and Ultra High performance radiation characteristic. The High performance antennas are available in single polarised (SD) as well as in dual polarised versions (SDX). Antennas with High Performance radiation characteristics are required for use in networks where there is a high interference potential. Antennas are available in 4 ft (1.2m) to 6 ft (1.8m) diameters. All antennas include a flexible radome to minimise its impact on the antenna's electrical characteristics. The antennas are easy to install. A side strut is required for 6 ft-antennas.



Antenna

Technical Features

GENERAL SPECIFICATIONS

Product Type		Point to point antennas
Profile		SlimLine
Performance		Ultra High
Polarization		Single
Antenna Input		CPR90G
Reflector		1-part
Radome		flexible
Antenna color		White RAL 9010
Swaybar		1: (1.35 m x Ø27 mm)

ELECTRICAL SPECIFICATIONS

Frequency	GHz	10.7 - 11.7
3dB beamwidth	degrees	1.5
Low Band Gain	dBi	40.1
Mid Band Gain	dBi	40.5
High Band Gain	dBi	40.9
F/B Ratio	dB	66.0
XPD	dB	32.0
Max VSWR / R L	VSWR / dB	1.15 (23.1)
Regulatory Compliance		ETSI EN 302217 Range 1, class 3 FCC Category A

MECHANICAL SPECIFICATIONS

Diameter	ft (m)	4 (1.2)
Elevation Adjustment	degrees	± 15
Azimuth Adjustment	degrees	± 5
Polarization Adjustment	degrees	± 5
Mounting Pipe Diameter minimum	mm (in)	114 (4.5)
Mounting Pipe Diameter maximum	mm (in)	114 (4.5)
Approximate Weight	kg (lb)	35 (77)
Survival Windspeed	km/h (mph)	200 (125)
Operational Windspeed	km/h (mph)	190 (118)

STRUCTURE

Radome Material		PVC coated fabric
-----------------	--	-------------------

FURTHER ACCESSORIES

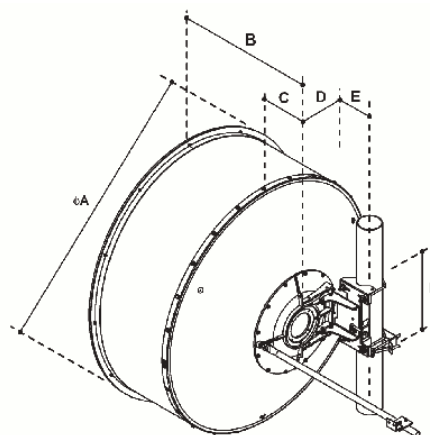
Further Accessories		SMA-SKO-UNIVERSAL : Universal sway bar fixation kit
---------------------	--	---



SlimLine Antenna, Ultra High Performance, Single Polarized, 4 ft

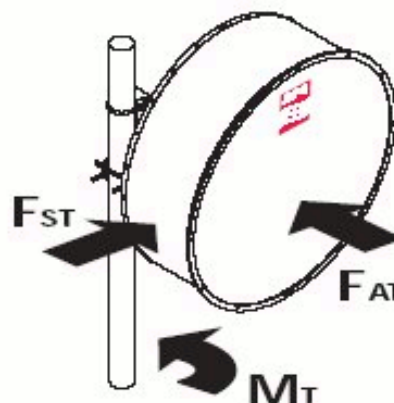
Mount Outline

Dimension A	mm (in)	1313 (51.7)
Dimension B	mm (in)	746 (29.4)
Dimension C	mm (in)	248 (9.8)
Dimension D for 114mm (4.5in) Pipe	mm (in)	365 (14.4)
Dimension E	mm (in)	115 (4.5)
Dimension F	mm (in)	365 (14.4)



Wind Load

FST Side force max. @ survival wind speed	N (lb)	1630 (365)
FAT Axial force max. @ survival wind speed	N (lb)	3290 (737)
MT Torque maximum @ survival wind speed	Nm (lb ft)	1055 (784)



External Document Links

- Reflector installation
- Feed installation
- RPE (IQ-Link format)
- RPE (PDF format)
- RPE (Pathloss format)

Notes